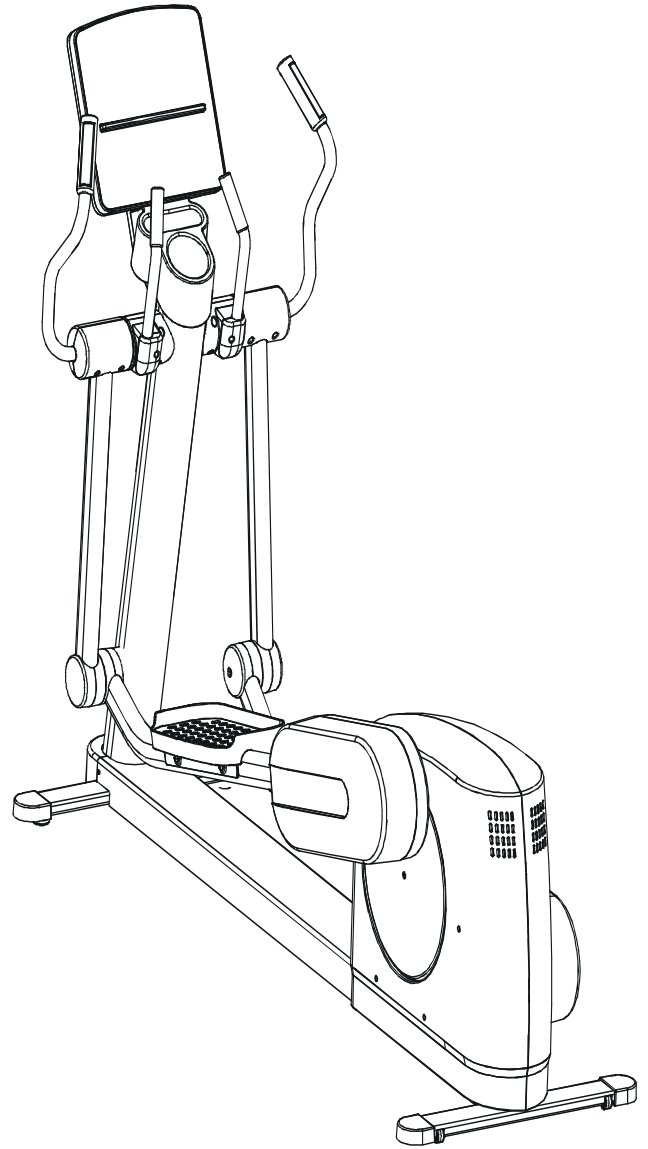
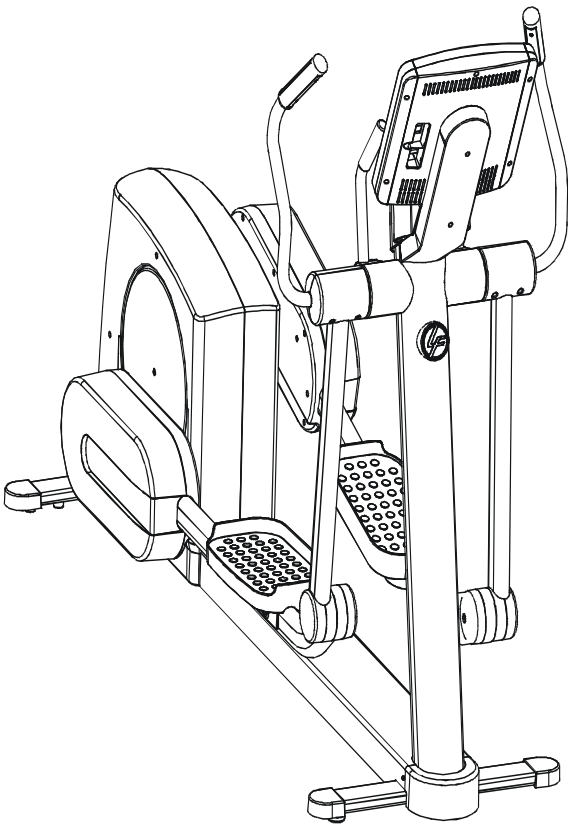


LifeFitness

ARCTIC SILVER QUIET DRIVE
CROSS-TRAINER 95X-0XXX-03 (MADE IN HUNGARY)



Customer Support Services
PARTS MANUAL rev 20 Nov 2008

ARCTIC SILVER QUIET DRIVE 95Xi
REFERENCES

95X-0XXX-03
S/N XHA060101183

OPERATION MANUAL	M051-00K62-A107
SERVICE MANUAL	M051-00K62-A149
TOUCH UP PAINT: SPRAY CAN .5 OZ BOTTLE W/APPLICATOR .33 OZ PEN	0017-00008-0204 0017-00008-0205 0017-00008-0206
HARDWARE BAG	AK62-00152-0001
PLUG IN OPTION 120/60	GK62-00002-0018
PLUG IN OPTION 240/50 UK	GK62-00002-0019
PLUG IN OPTION 240v AUS	GK62-00002-0020
PLUG IN OPTION 230/50 CONT	GK62-00002-0021

	Page
CONSOLE SUPPORT & DEADSHAFT COVERS.....	4
HANDLEBARS AND BULLHORNS	5
CONSOLE AND RELATED COMPONENTS.....	6
UPPER FRAME HARDWARE	8
ROCKER ARMS AND PEDAL LEVERS	8
CRANK COVER AND LOWER CAPS	10
LOWER FRAME SHROUDS AND HARDWARE.....	11
PEDAL LEVER COMPONENTS	12
PCB, BATTERY, REED SWITCH & BRACKET	13
BEARING-INSERT ASSEMBLY	14
CRANK ARM PULLEY ASSEMBLY.....	15
DRIVE MODULE	16
DRIVE MODULE HARDWARE	17
CABLES.....	18

Note: The 95Xi comes with both Telemetry and LifePulse sensors.

ARCTIC SILVER QUIET DRIVE 95Xi

Console Support & Deadshaft Covers

95X-0XXX-03

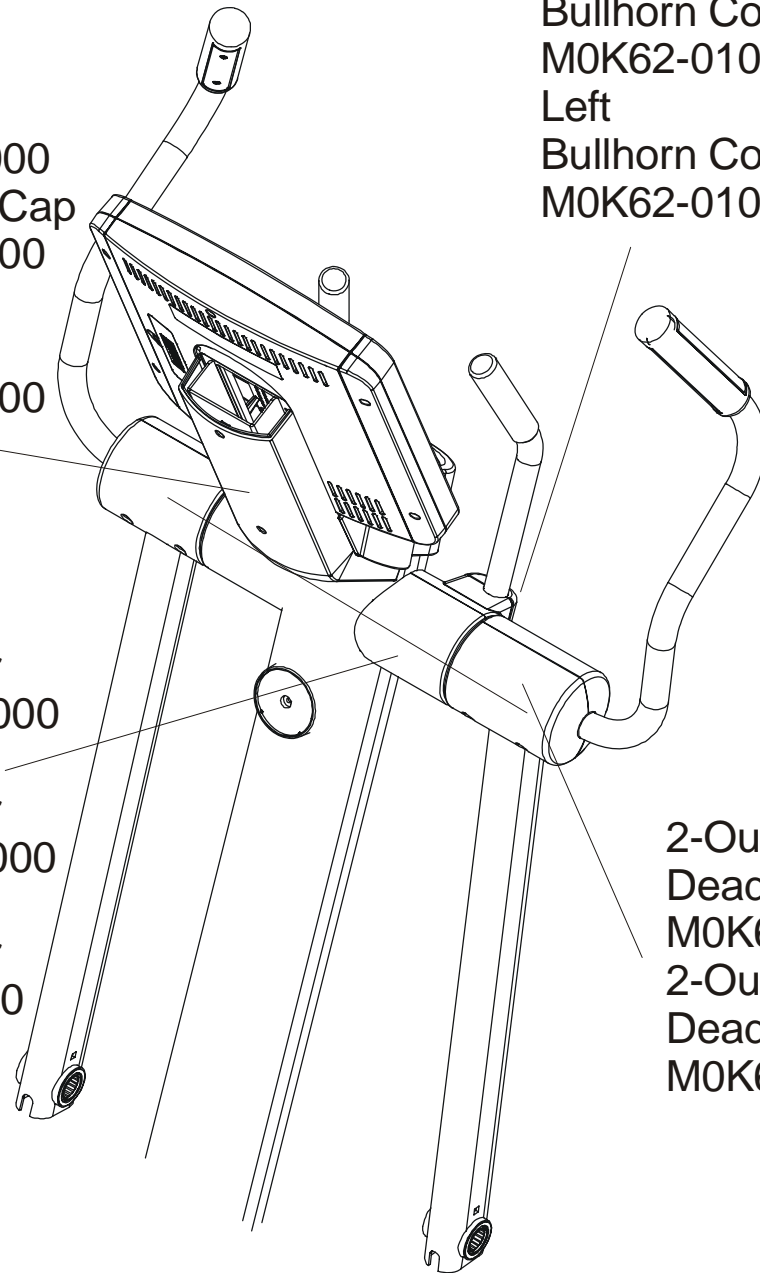
S/N XHA060101183

Console Support
MAK62-00123-0000
Console Support Cap
M0K62-01030-0000
Console Support
Shroud
M0K62-01023-0000

Right
Bullhorn Cover
M0K62-01007-0001
Left
Bullhorn Cover
M0K62-01008-0001

Right Inside
Deadshaft Cover
M0K62-01010-0000
Left Inside
Deadshaft Cover
M0K62-01011-0000
2-Front Inside
Deadshaft Cover
0K62-01009-0000

2-Outside Front
Deadshaft Cover
M0K62-01013-0000
2-Outside Rear
Deadshaft Cover
M0K62-01012-0000



ARCTIC SILVER QUIET DRIVE 95Xi

Handlebars and Bullhorns

95X-0XXX-03

S/N XHA060101183

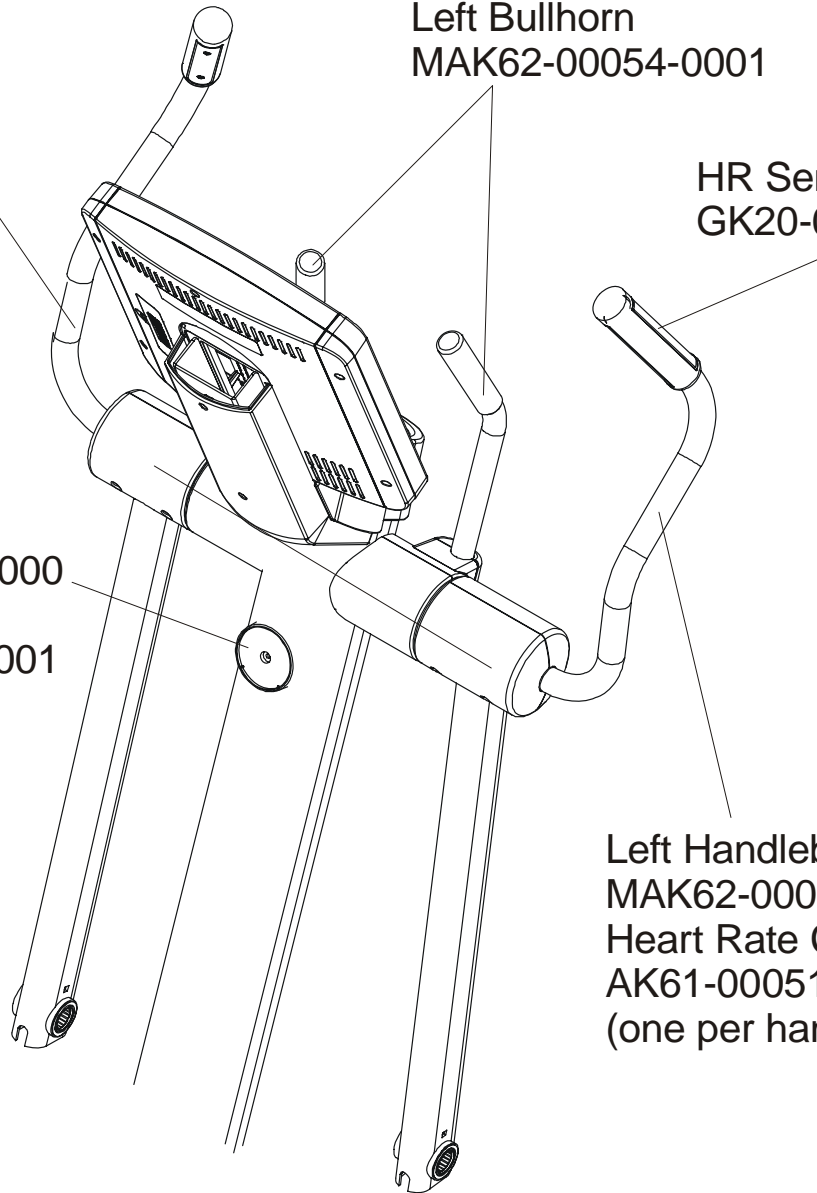
Right Handlebar
MAK62-00086-0000

*Right Bullhorn
MAK62-00053-0001
Left Bullhorn
MAK62-00054-0001

HR Sensor Kit
GK20-00002-0005

Medallion Bug
AK58-00245-0000
Bug Adaptor
OK62-01034-0001

Left Handlebar
MAK62-00087-0000
Heart Rate Cable
AK61-00051-0001
(one per handlebar)



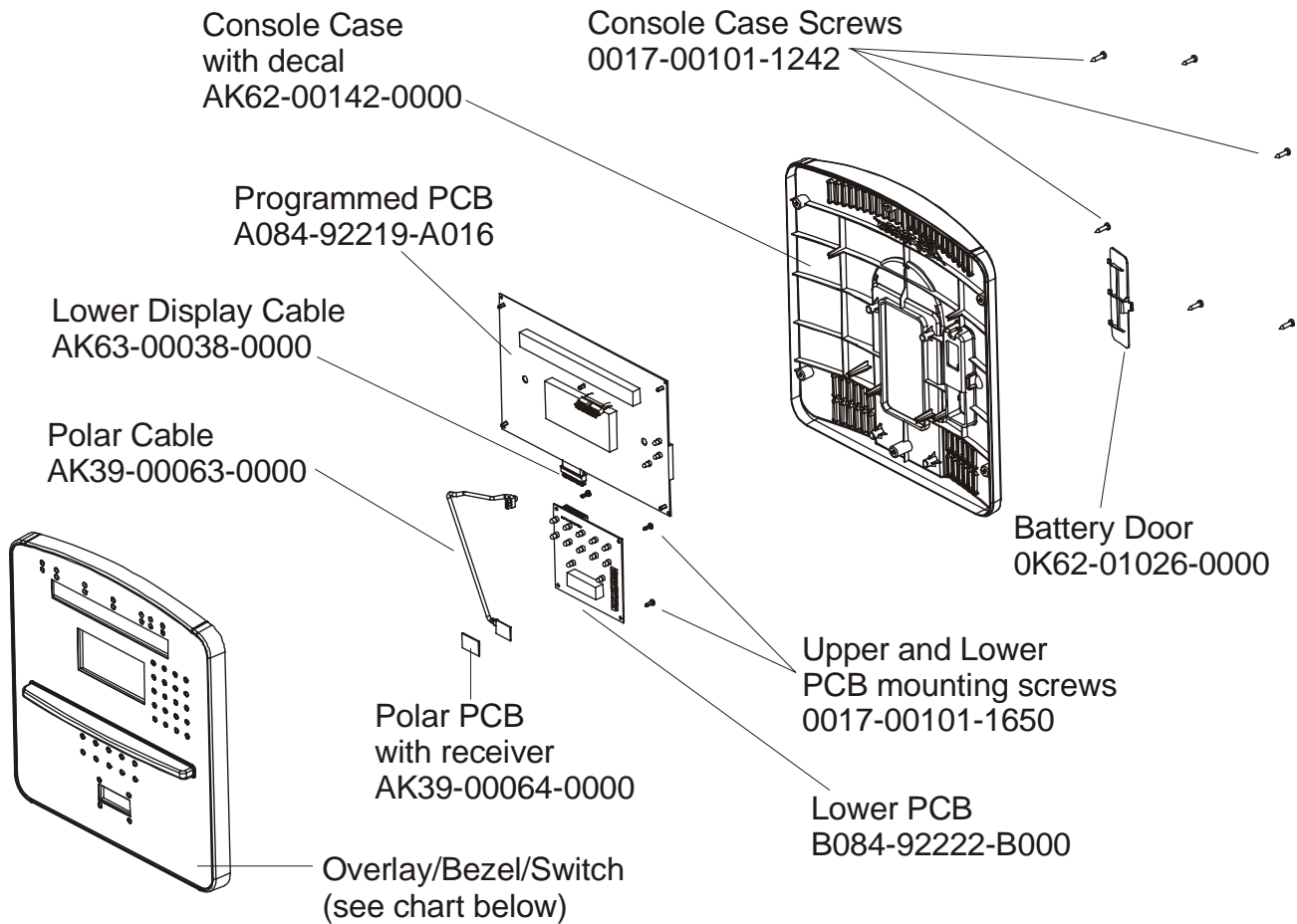
*Right Bullhorn Assembly consists of: AK62-00057-0001 Bullhorn,
MOK62-01136-0000 Grip and MOK62-01199-0000 Gasket
Left Bullhorn Assembly consists of: AK62-00058-0001 Bullhorn,
MOK62-01136-0000 Grip and MOK62-01199-0000 Gasket

ARCTIC SILVER QUIET DRIVE 95Xi

95X-0XXX-03

Console & Related components

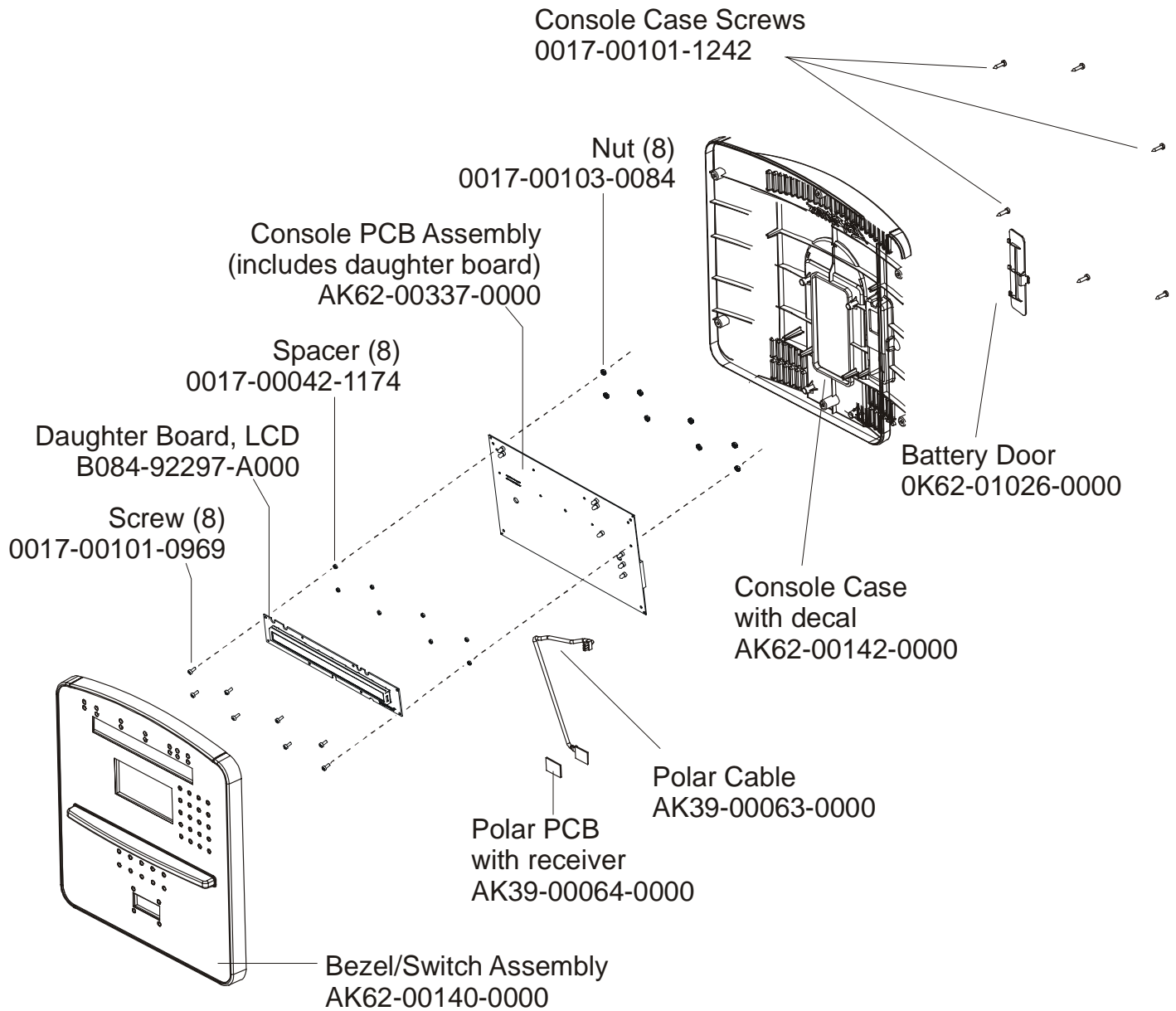
S/N XHA060101183



CONSOLE	OVERLAY/BEZEL/SWITCH	LANGUAGE
AK62-00329-0001	AK62-00191-0001	Eng + Met
AK62-00329-0003	AK62-00191-0003	Ger/Met
AK62-00329-0004	AK62-00191-0004	Spn/Met
AK62-00329-0006	AK62-00191-0006	Jap/Met
AK62-00329-0007	AK62-00191-0007	Frn/Met
AK62-00329-0008	AK62-00191-0008	Ital/Met
AK62-00329-0009	AK62-00191-0009	Dut/Met
AK62-00329-0010	AK62-00191-0010	Port/Met
AK62-00329-0014	AK62-00191-0014	Turk/Met

ARCTIC SILVER QUIET DRIVE 95Xi
NDT Console & Related components

95X-0XXX-03
S/N XHA060101183



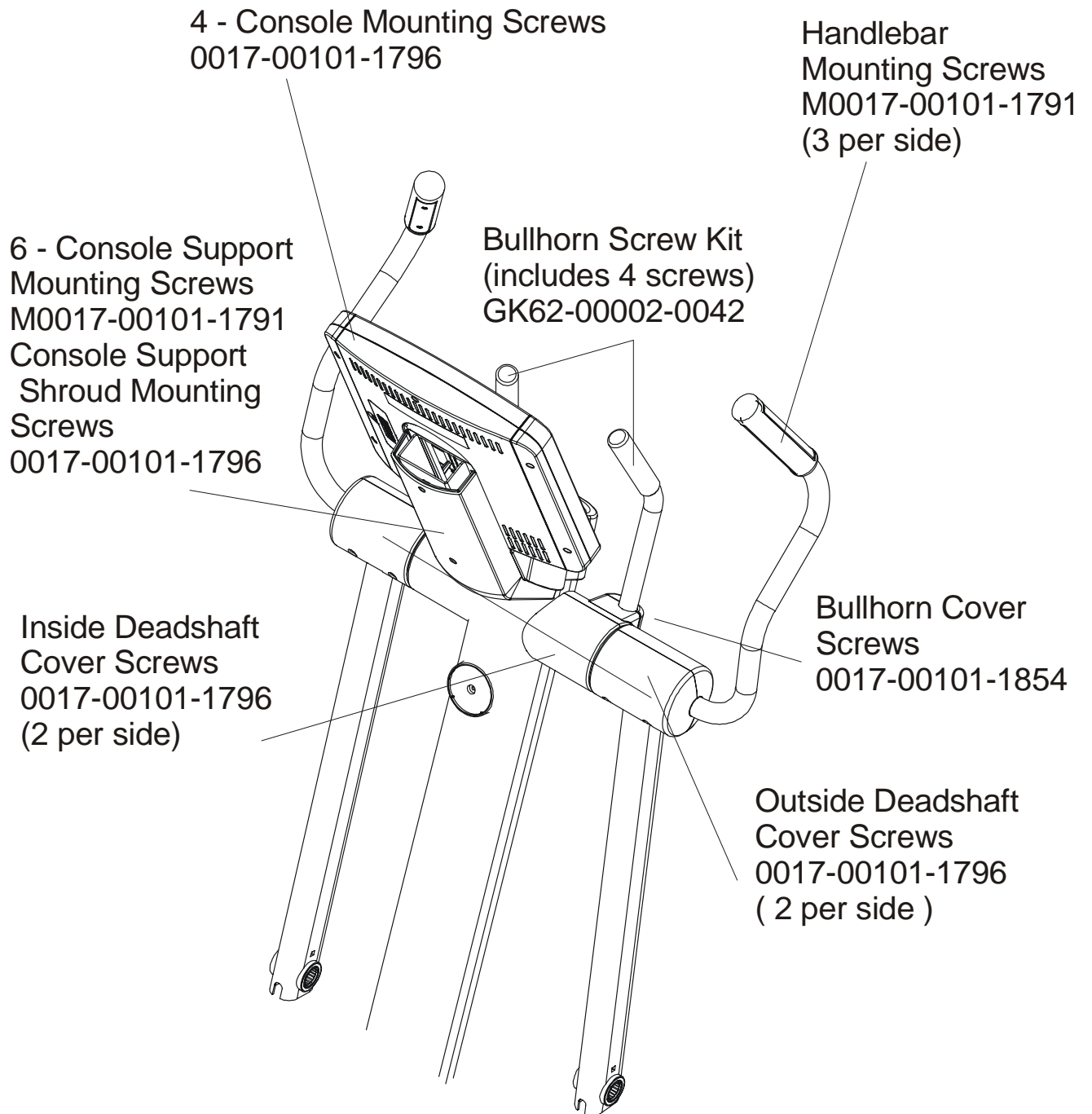
CONSOLE	OVERLAY	LANGUAGE
AK62-00329-0005	0K62-01159-0002	Jap/LCD
AK62-00329-0011	0K62-01159-0011	Chi/LCD
AK62-00329-0012	0K62-01159-0012	Kor/LCD
AK62-00329-0013	0K62-01159-0013	Rus/LCD

ARCTIC SILVER QUIET DRIVE 95Xi

Upper Frame Hardware

95X-0XXX-03

S/N XHA060101183



Items Not Shown:

Accessory Tray	M0K62-01022-0000
Mounting Screws (2)	0017-00101-1846

ARCTIC SILVER QUIET DRIVE 95Xi

Rocker Arms & Pedal Levers

95X-0XXX-03

S/N XHA060101183

Rocker Arms Kit
GK62-00002-0070
contents:

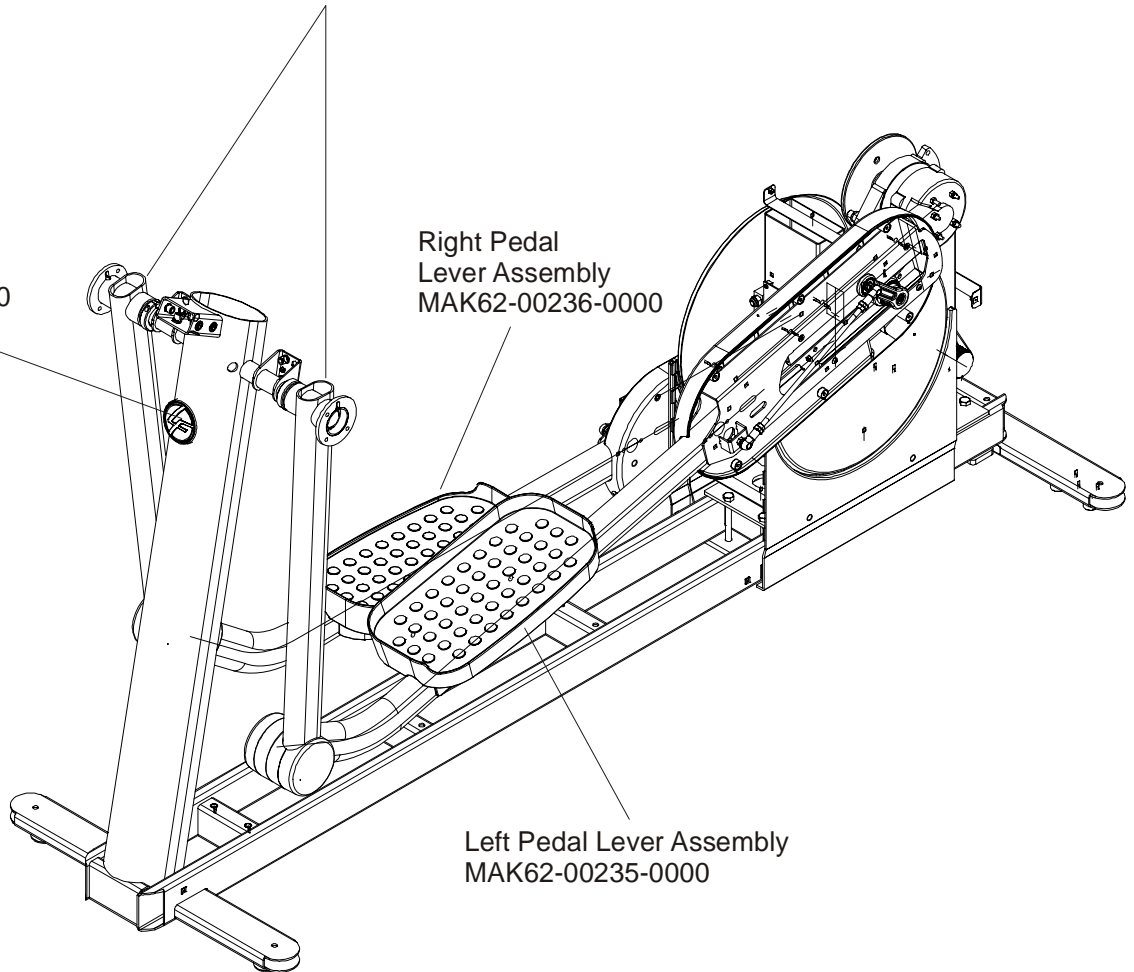
- Rocker Arms (2)
- Hardened Spacers (2)
- Oilite Washers (2)
- Retaining Rings (2)
- Loctite 620
- Alcohol pad

Rocker Arms
AK62-00002-0070
Shaft Collar w/Screws
OK61-01259-0000

LF Bug
Medallion Assy.
AK58-00245-0000

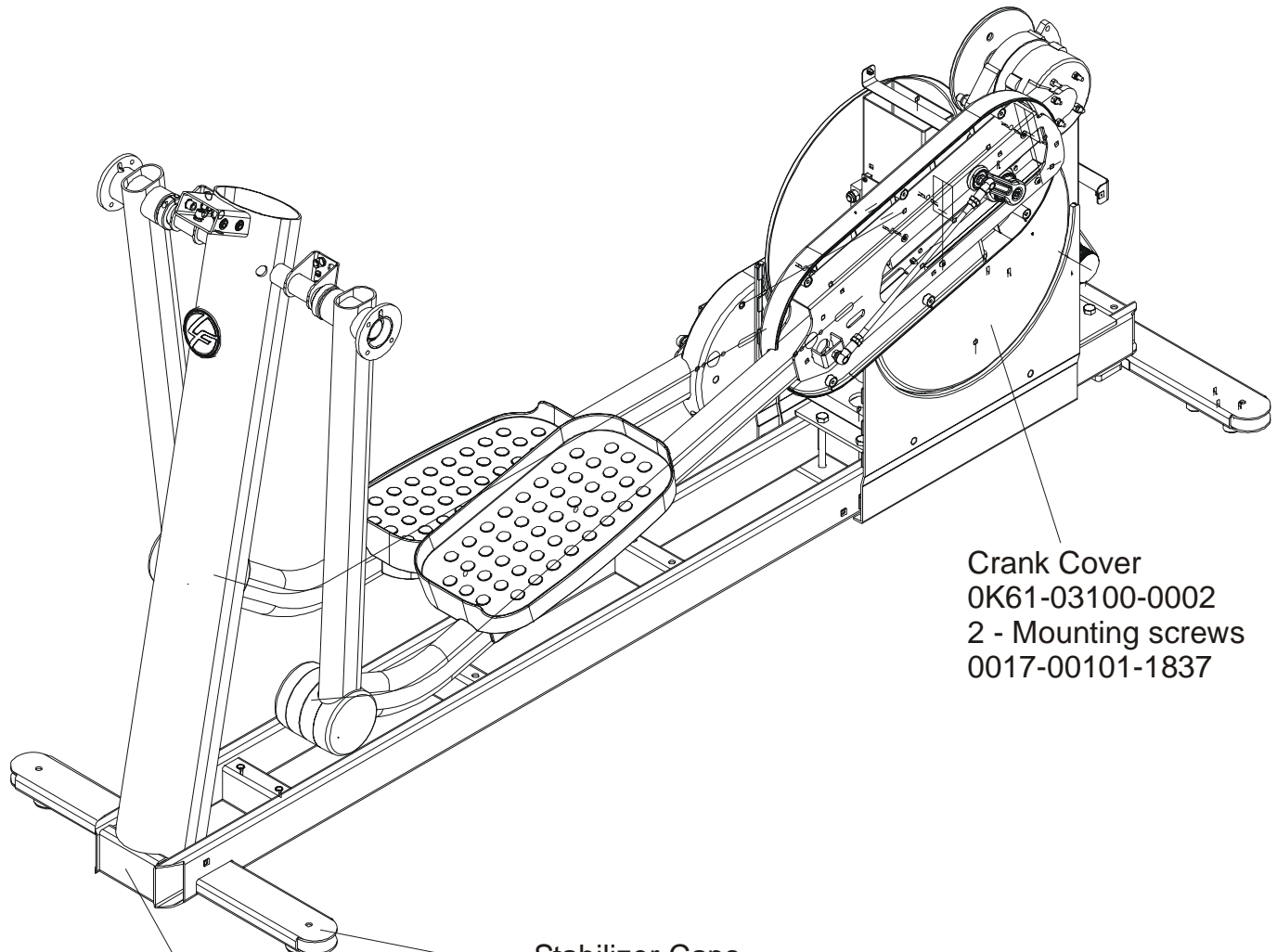
Right Pedal
Lever Assembly
MAK62-00236-0000

Left Pedal Lever Assembly
MAK62-00235-0000



ARCTIC SILVER QUIET DRIVE 95Xi
Crank Cover and Lower Caps

95X-0XXX-03
S/N XHA060101183



Crank Cover
OK61-03100-0002
2 - Mounting screws
0017-00101-1837

Stabilizer Caps
4 - OK62-01003-0000

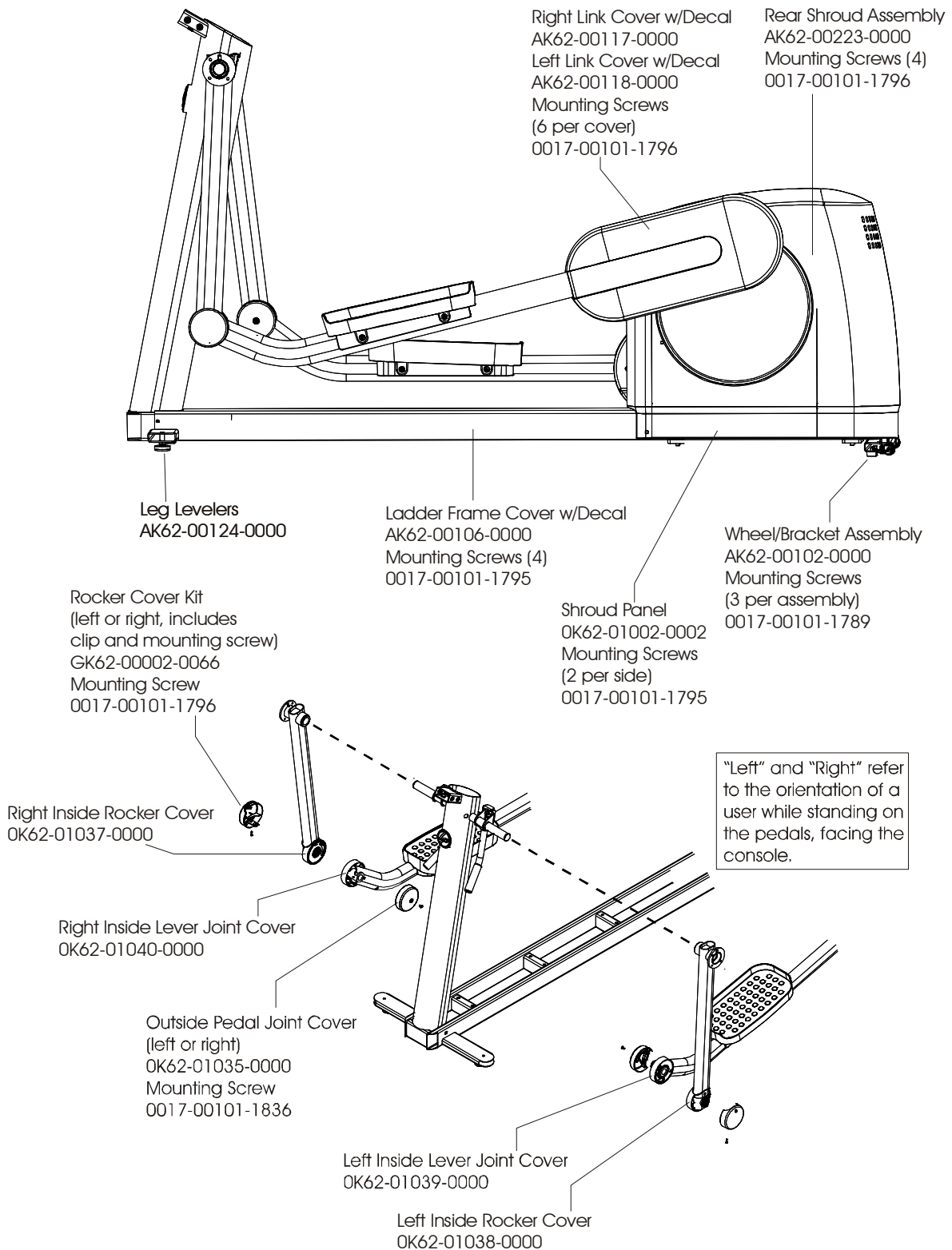
Front frame Cap
MOK62-01004-0000
Mounting Screws
(Located on front sides of Ladder Frame Cover)
2- 0017-00101-1795

ARCTIC SILVER QUIET DRIVE 95Xi

95X-0XXX-03

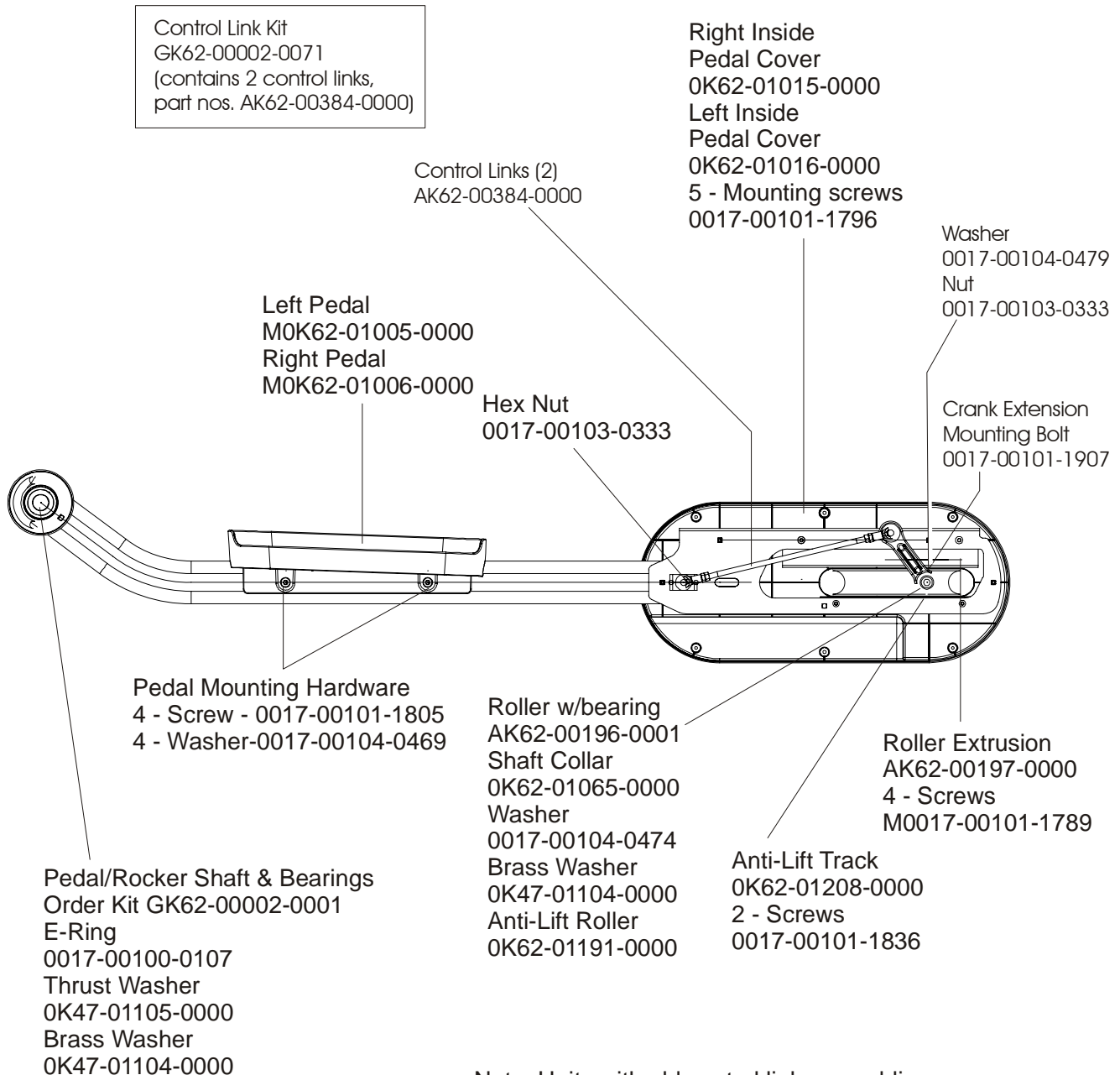
Lower Frame Shrouds & Hardware

S/N XHA060101183



ARCTIC SILVER QUIET DRIVE 95Xi
Pedal Lever Assembly Components

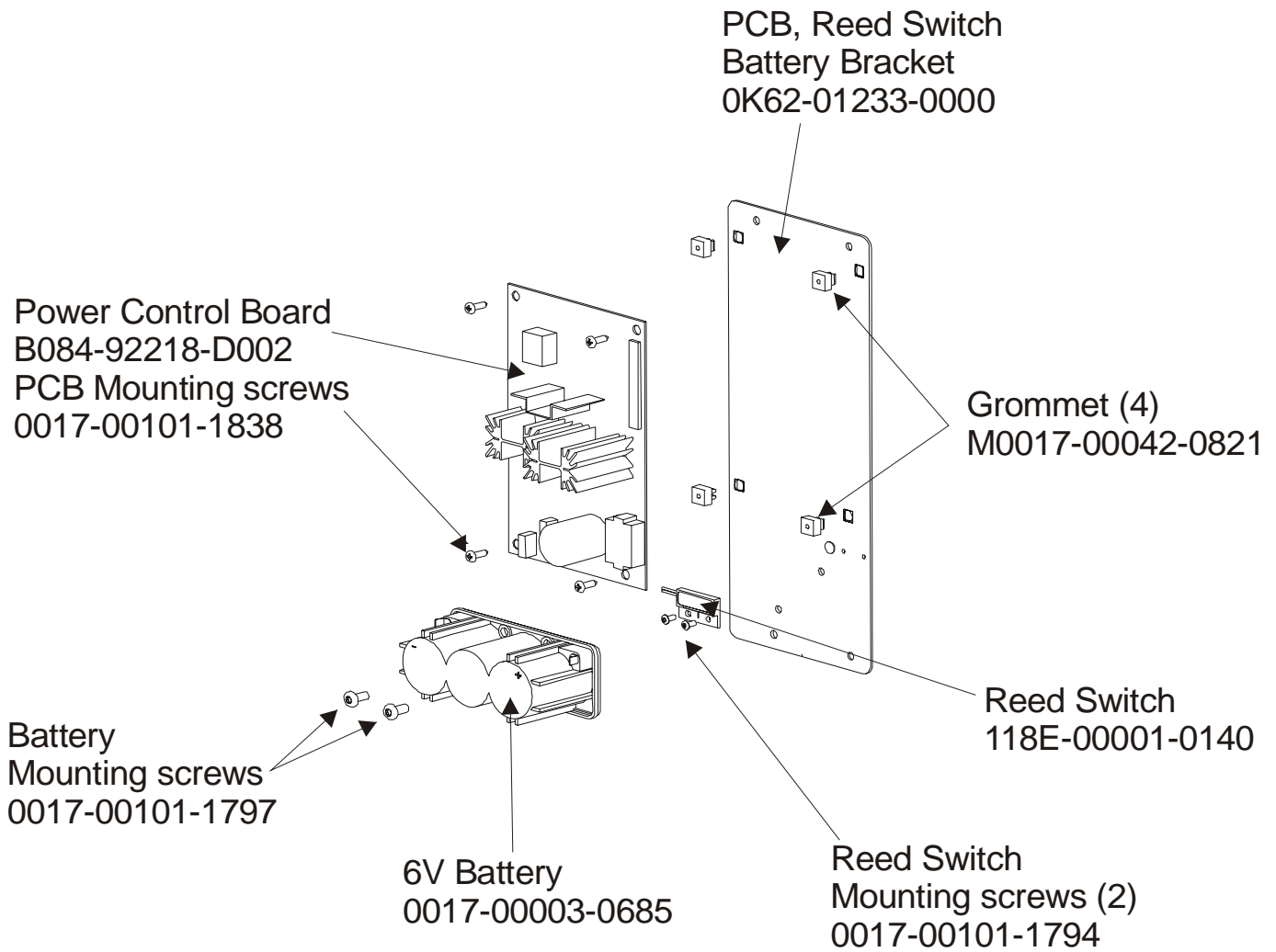
95X-0XXX-03
S/N XHA060101183



Note: Units with old control link assemblies will require kit MGK62-00002-0015 when replacing either the tie rod assembly or the crank extension for the first time.

ARCTIC SILVER QUIET DRIVE 95Xi
PCB, Battery, Reed Switch & Bracket

95X-0XXX-03
S/N XHA060101183

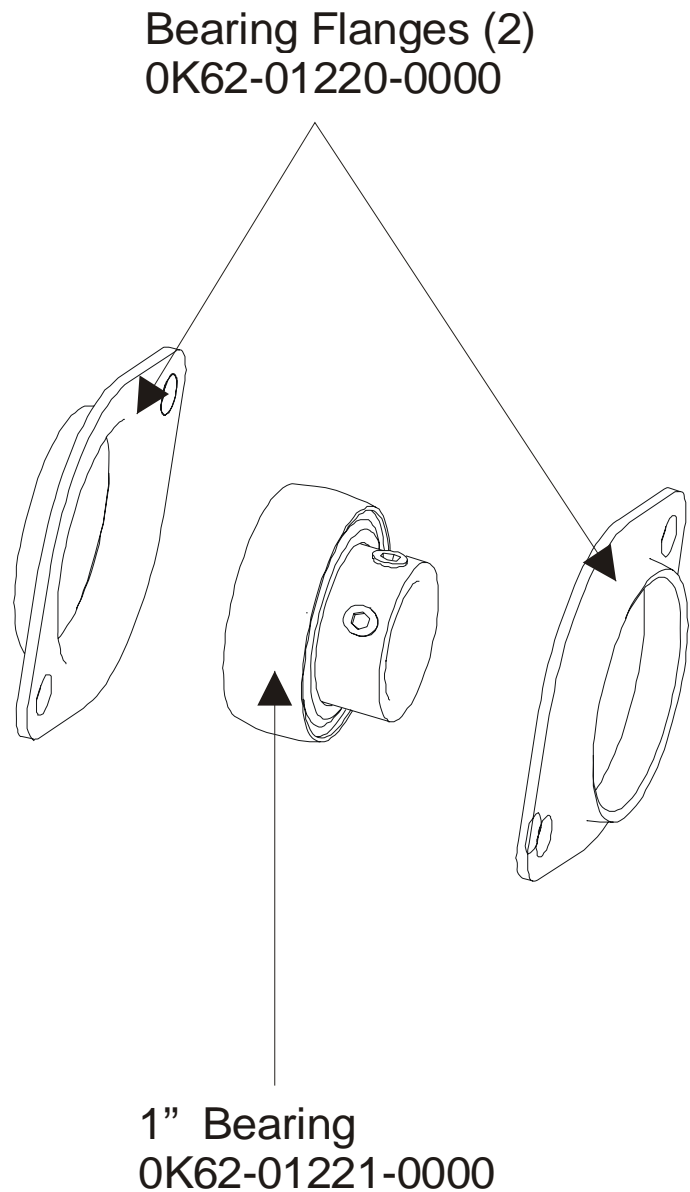


Service Kit-
MGK62-00002-0044
Includes:

- 1- crankshaft
- 2- bearings
- 2- sets of bearing flanges
- 4- nuts and washers

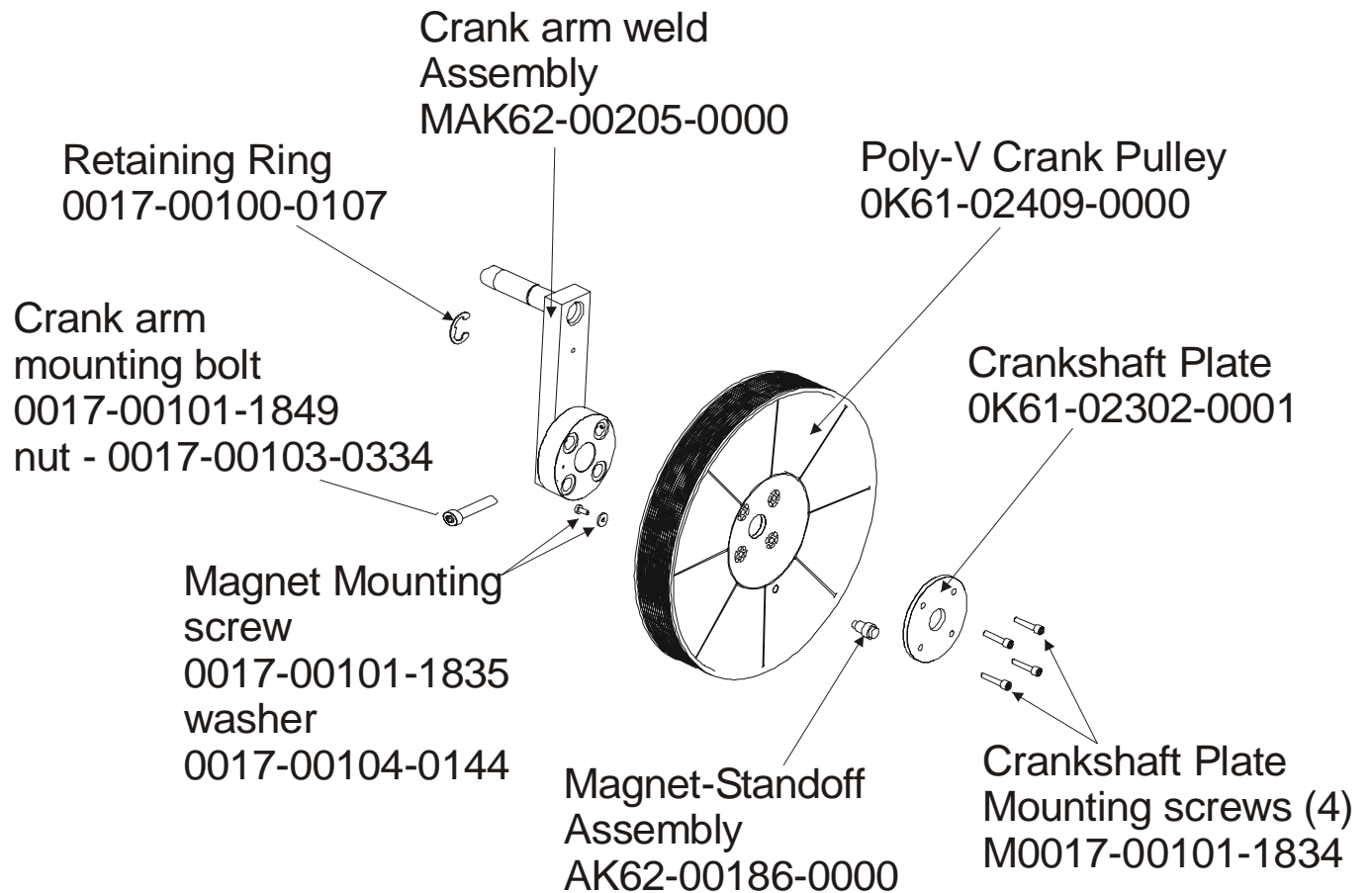
Service Kit- GK62-00002-0045
Includes:

- 1 - intermediate shaft
- 2 - bearings
- 2- sets of bearing flanges
- 4- nuts and washers



ARCTIC SILVER QUIET DRIVE 95Xi
Crank Arm Pulley Assembly

95X-0XXX-03
S/N XHA060101183

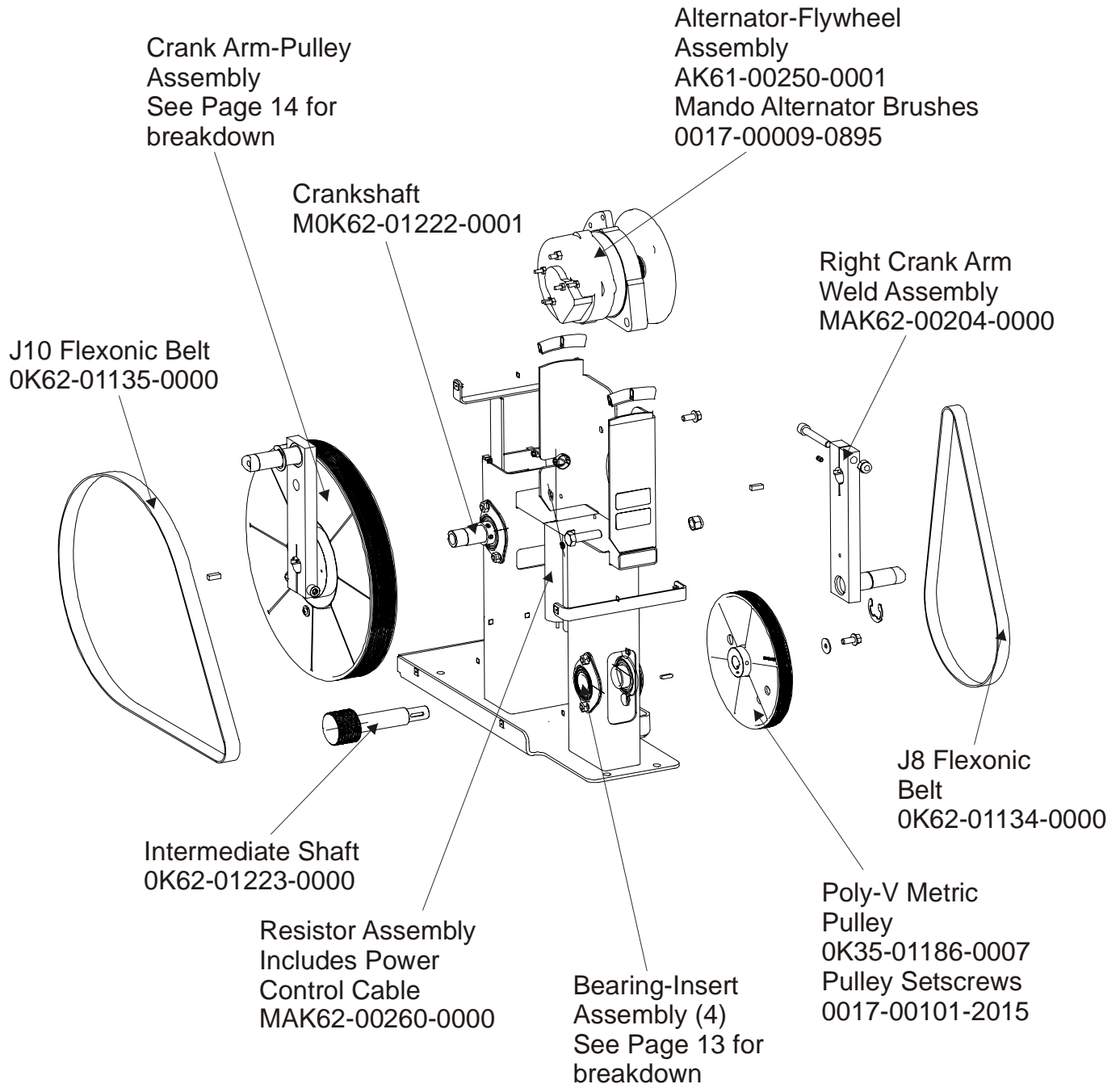


ARCTIC SILVER QUIET DRIVE 95Xi

Drive Module

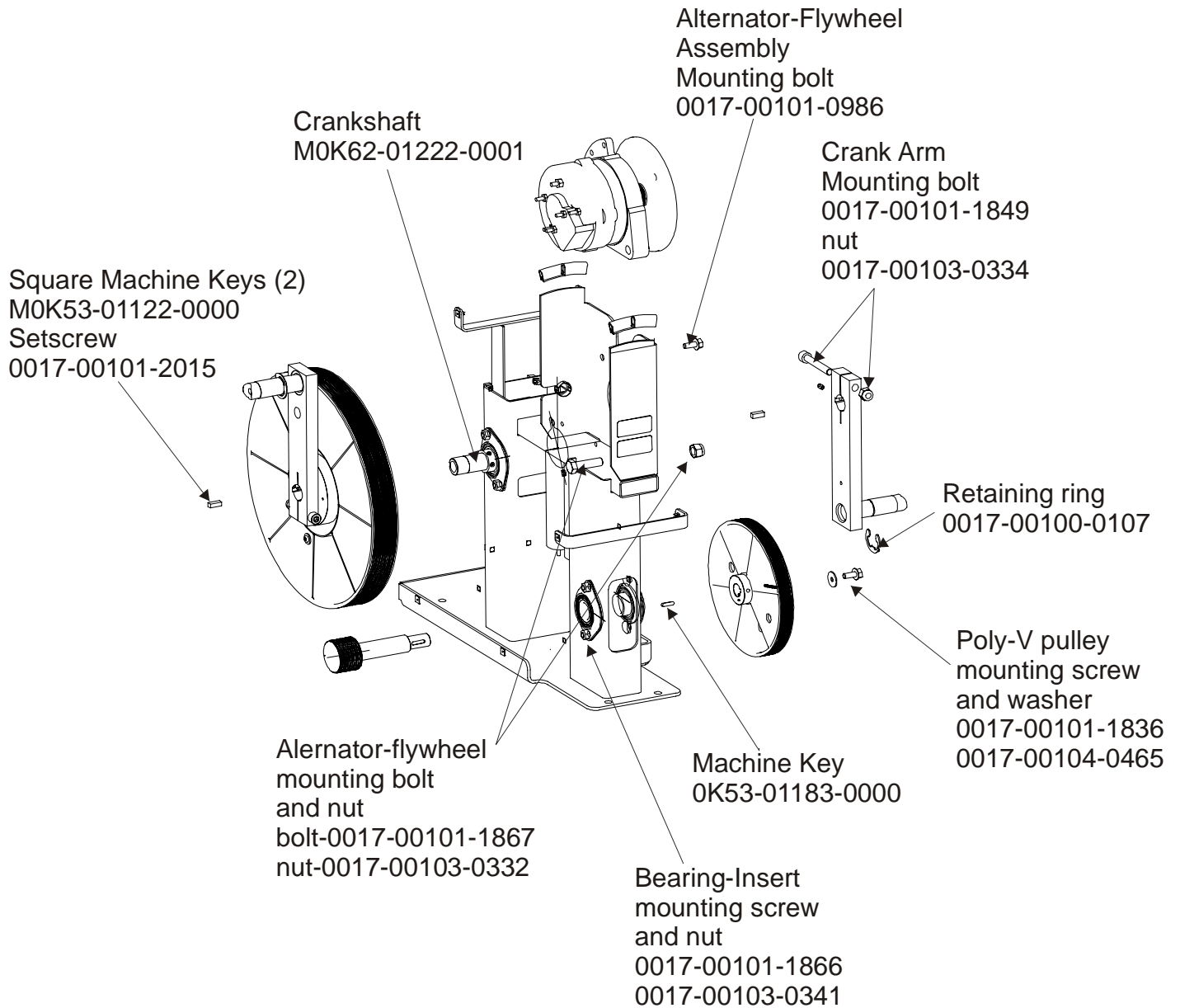
95X-0XXX-03

S/N XHA060101183



ARCTIC SILVER QUIET DRIVE 95Xi
Drive Module Hardware

95X-0XXX-03
S/N XHA060101183



ARCTIC SILVER QUIET DRIVE 95Xi

Cables

95X-0XXX-03

S/N XHA060101183

